



FWFOC.EW23 Exterior Wall Insulation and Finish System

[Page Bottom](#)

[Notice of Disclaimer](#)

[Previous Page](#)

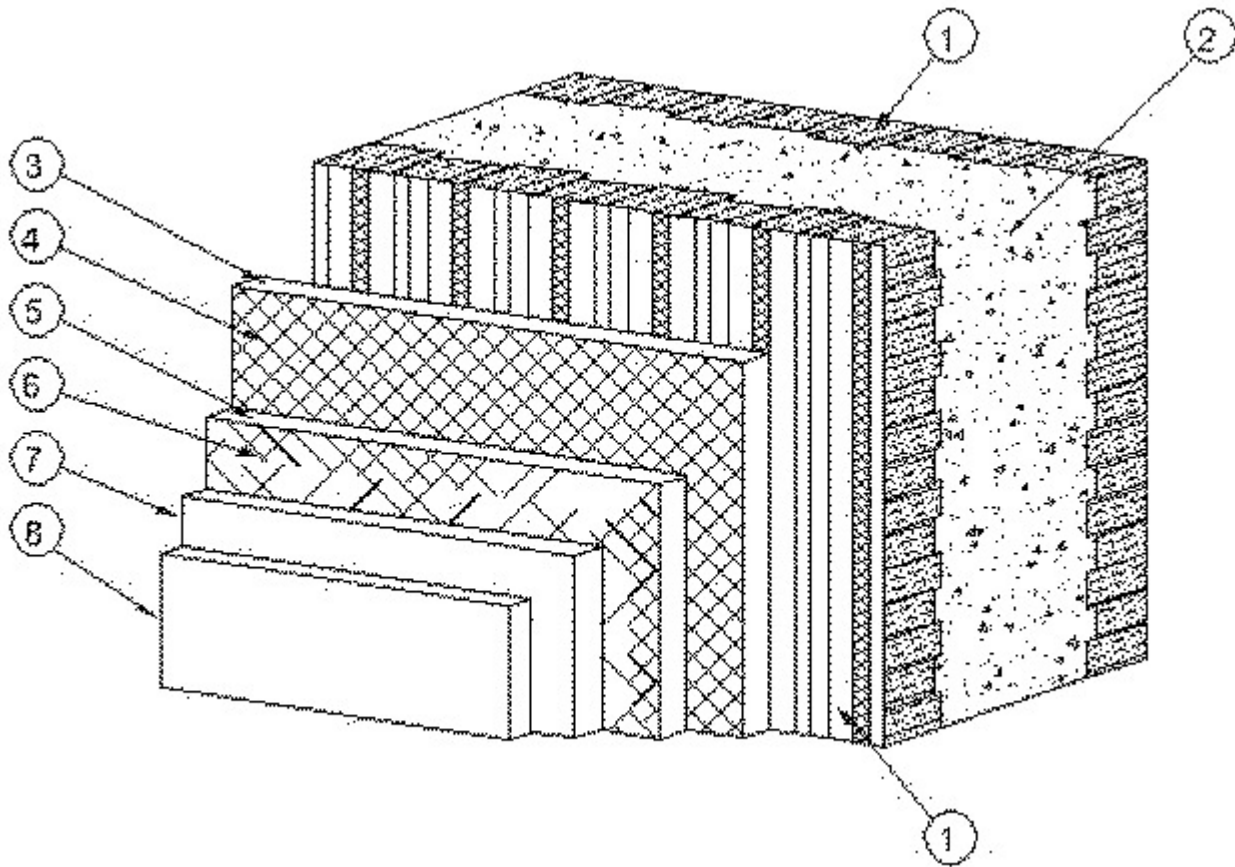
Exterior Wall Insulation and Finish System

[See General Information for Exterior Wall Insulation and Finish System](#)

System No. EW23

December 07, 2005

EXTERIOR WALL INSULATION AND FINISH SYSTEM



FIRE SIDE

- **1. Insulated Concrete Forms** — CDELIC (Guide No. 40 U18.45) Standard form units comprised of two 2440 by 457 mm by 67 mm thick expanded polystyrene (EPS) panels linked by polypropylene webs at 200 mm OC horizontally. The minimum width of the ICF cavity is 152 mm.

NUDURA CORPORATION

- 2. **Sand-Limestone Concrete** — Minimum 152 mm thick normal-density concrete (2300 ± 50 kg/m³), 20 MPa nominal compressive strength.

- **3. Component for Exterior Wall Insulation and Finish System** — FWFXC (Guide No. 40 U23.5.3). A first layer of base coat is applied to the bottom 450 mm of the wall at a minimum wet application rate of 10.5 kg/m². The base coat consists of a mixture of 4 parts by weight of "Durex Uniplast" powder to 1.0 part by weight of "Durex Acrybond S" liquid.

DURABOND PRODUCTS LTD

- 4. **Fibreglass Mesh** — A 450 mm wide layer of fibreglass mesh reinforcement with an area density of 0.50 kg/m² is installed horizontally and trowelled into the top surface of the first layer of base coat (Item 3).

- **5. Component for Exterior Wall Insulation and Finish System** — FWFXC (Guide No. 40 U23.5.3). A second layer of base coat is applied to the entire wall surface at a minimum wet application rate of 4.73 kg/m². The base coat consists of a mixture of 4 parts by weight of "Durex Uniplast" powder to 1.0 part by weight of "Durex Acrybond S" liquid.

DURABOND PRODUCTS LTD

- 6. **Fibreglass Mesh** — A layer of fibreglass mesh reinforcement with an area density of 0.20 kg/m² is installed vertically with 100 mm overlap between strips. The mesh is to be trowelled into the top surface of the second layer of base coat (Item 5).

- **7. Component for Exterior Wall Insulation and Finish System** — FWFXC (Guide No. 40 U23.5.3). A third layer of base coat is applied over the entire wall surface at a minimum wet application rate of 3.37 kg/m². The base coat consists of a mixture of 4 parts by weight of "Durex Uniplast" powder to 1.0 part by weight of "Durex Acrybond S" liquid.

DURABOND PRODUCTS LTD

- **8. Component for Exterior Wall Insulation and Finish System** — FWFXC (Guide No. 40 U23.5.3). One layer of premixed "Durex Architectural Coating"

applied at a minimum wet application rate of 2.05 kg/m² over base coat.

DURABOND PRODUCTS LTD

Last Updated on 2005-12-07

[Page Top](#)

[Notice of Disclaimer](#)

[Previous Page](#)

This page and all contents are Copyright © 2005 by Underwriters Laboratories' of Canada®

The appearance of a company's name or product in this database does not in itself assure that products so identified have been manufactured under ULC's Follow-Up Service. Only those products bearing the ULC Mark should be considered to be Listed and covered under ULC's Follow-Up Service. Always look for the Mark on the product.

ULC permits the reproduction of the material contained in the Online Certification Directory subject to the following conditions: 1. The Guide Information, Designs and/or Listings (files) must be presented in their entirety and in a non-misleading manner, without any manipulation of the data (or drawings). 2. The statement "Reprinted from the Online Certifications Directory with permission from Underwriters Laboratories' of Canada" must appear adjacent to the extracted material. In addition, the reprinted material must include a copyright notice in the following format: "Copyright © 2005 Underwriters Laboratories' of Canada®"