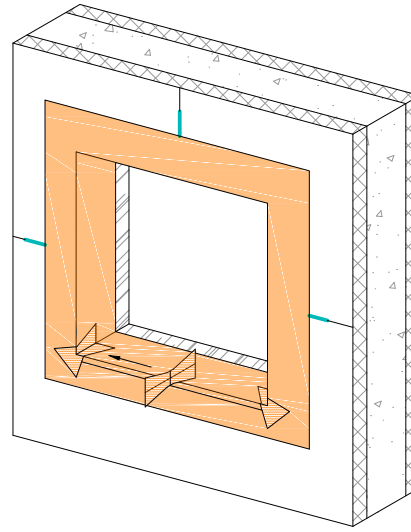


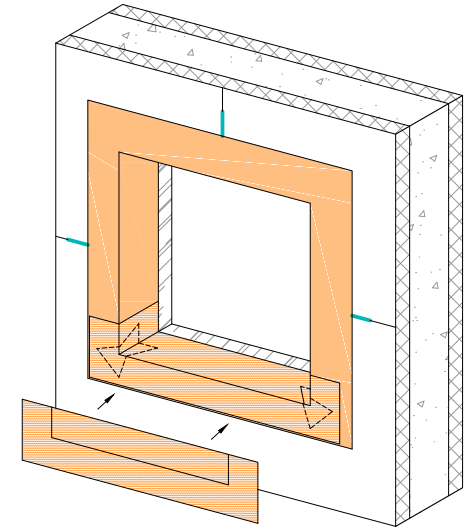
VERTICAL AND HORIZONTAL SEAMS MUST BE DETAILED WITH DYMONIC 100 FROM EDGE OF OPENING AND EXTEND BEYOND FLASHING MATERIALS BY 1" MINIMUM; VERTICAL SEAMS REQUIRE THE DYMONIC 100 TO GO BACK TO CONCRETE FACE AND FILL VERTICAL SEAM

NUDURA STANDARD FORM UNIT

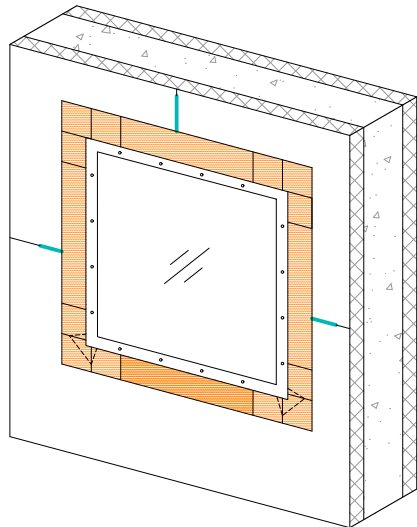


APPLY ENVIRO-DRI 3" MIN INTO ROUGH OPENING AND EXTERIOR FACE OF WALL AT SILL, JAMBS, HEAD

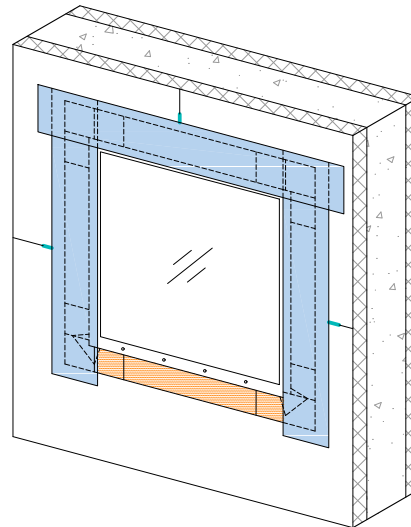
ENVIRO-DRI JOINT FABRIC BOW TIES INSTALLED AT ROUGH OPENING CORNERS INTO WET ENVIRO-DRI MEMBRANE



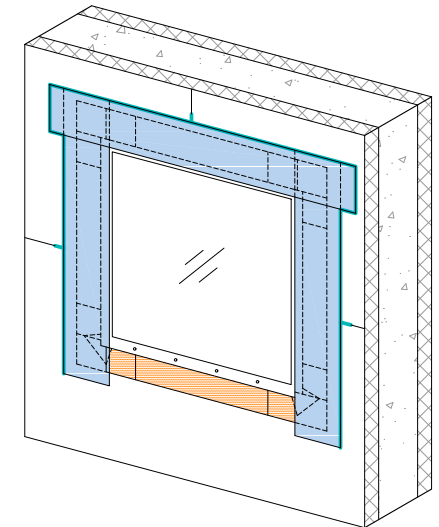
APPLY ENVIRO-DRI JOINT FABRIC INTO WET ENVIRO-DRI MEMBRANE AT ENTIRE ROUGH OPENING AND EXTERIOR FACE OF WALL OR ONLY WINDOW PAN AREA



INSTALL NAIL FLANGE WINDOW, SET IN CONTINUOUS BEAD OF DYMONIC 100 EXCLUDING WINDOW SILLS



APPLY EXOAIR 110AT OVER WINDOW FLANGE AT SILL, JAMBS, HEAD



APPLY DYMONIC 100 AROUND PERIMETER OF EXOAIR 110AT, EXCLUDING SILLS (RECOMMENDED OPTION)