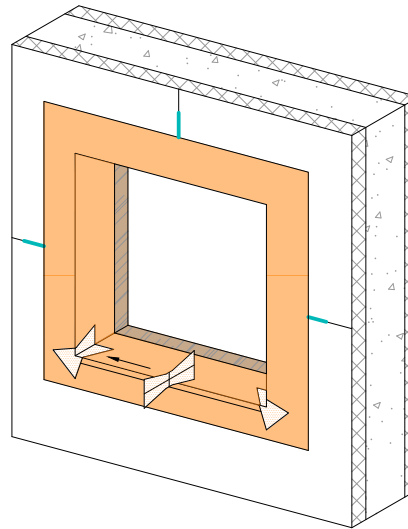


VERTICAL AND HORIZONTAL SEAMS MUST BE DETAILED WITH DYMONIC 100 FROM EDGE OF OPENING AND EXTEND BEYOND FLASHING MATERIALS BY 1" MINIMUM; VERTICAL SEAMS REQUIRE THE DYMONIC 100 TO GO BACK TO CONCRETE FACE AND FILL VERTICAL SEAM

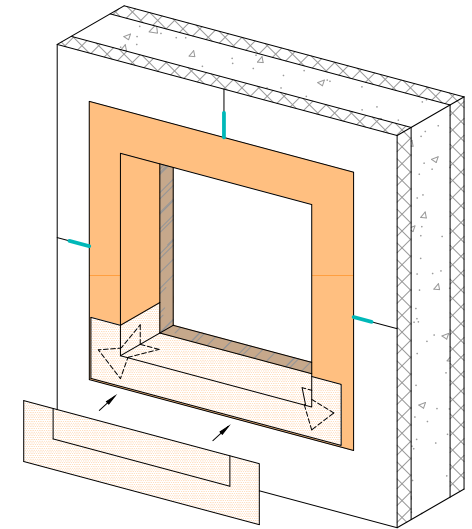
ENGINEERED FRAMING SYSTEM BY PREBUCK LLC OR FUNCTIONAL EQUIVALENT

NUDURA STANDARD FORM UNIT

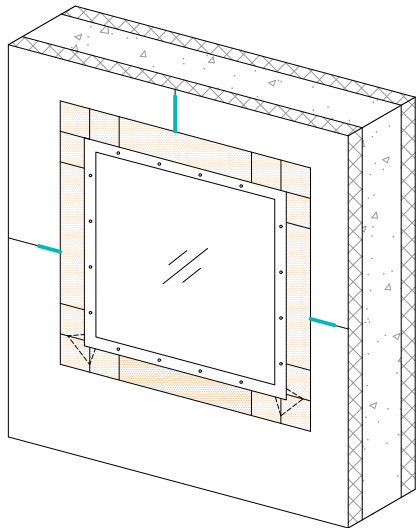


APPLY ENVIRO-DRI 3" MIN INTO ROUGH OPENING AND EXTERIOR FACE OF WALL AT SILL, JAMBS, HEAD

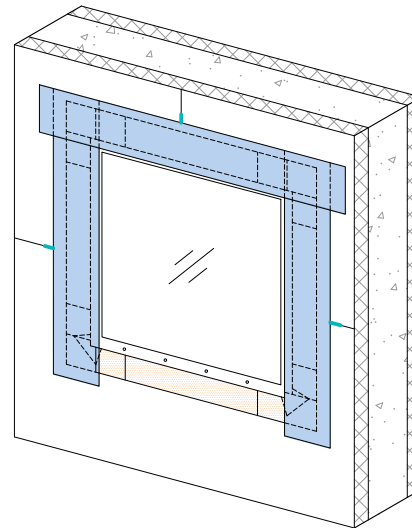
ENVIRO-DRI JOINT FABRIC BOW TIES INSTALLED AT ROUGH OPENING CORNERS INTO WET ENVIRO-DRI MEMBRANE



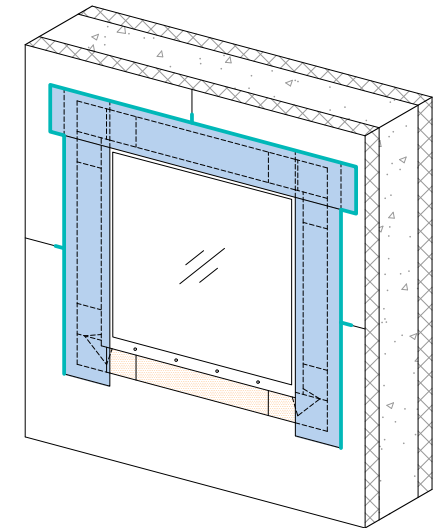
APPLY ENVIRO-DRI JOINT FABRIC INTO WET ENVIRO-DRI MEMBRANE AT ENTIRE ROUGH OPENING AND EXTERIOR FACE OF WALL OR ONLY WINDOW PAN AREA



INSTALL NAIL FLANGE WINDOW, SET IN CONTINUOUS BEAD OF DYMONIC 100 EXCLUDING WINDOW SILLS



APPLY EXOAIR 110AT OVER WINDOW FLANGE AT SILL, JAMBS, HEAD



APPLY DYMONIC 100 AROUND PERIMETER OF EXOAIR 110AT, EXCLUDING SILLS (RECOMMENDED OPTION)

The architecture, engineering, and design of the project using the Tremco, Nudura and Prebuck products are the responsibility of the project's design professional. All products and systems must comply with local building codes and standards. This detail is for general information and guidance only and Tremco, Nudura and Prebuck specifically disclaims any liability for the use of this detail. The project design professional determines, in its sole discretion, whether this detail or a functionally equivalent detail is best suited for the project. This detail is subject to change without notice. Contact Tremco, Nudura and Prebuck to ensure you have the most recent version.

NOTE: ALL SEAMS MUST BE DETAILED WITH DYMONIC 100 OR JOINT FABRIC.

Light Commercial/Residential Details

 Nudura Technical Support: 866-468-6299 International: +1 705-726-9499	Detail: Light Commercial/Residential Rough Opening - Nail Flange Window - Enviro-Dri/ExoAir 110AT Option			File Name:	 Construction Products Group
	Drawn by: KAB	Checked by: KS/RW/JS/CB	Scale: NTS	Date: 3/3/2022	
www.tremcocpg.com					