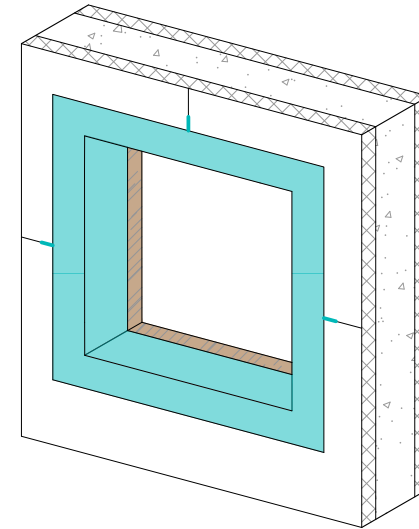
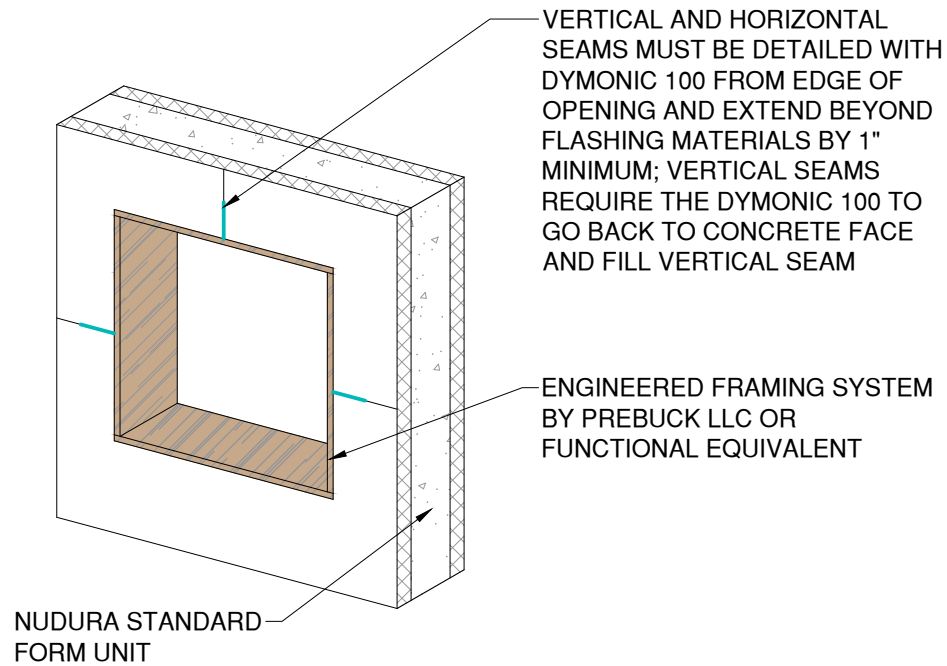


NOTE: ALL SEAMS WITH GAPS LARGER THAN $\frac{1}{16}$ " MUST BE DETAILED WITH DYMONIC 100.



The architecture, engineering, and design of the project using the Tremco, Nudura and Prebuck products are the responsibility of the project's design professional. All products and systems must comply with local building codes and standards. This detail is for general information and guidance only and Tremco, Nudura and Prebuck specifically disclaims any liability for the use of this detail. The project design professional determines, in its sole discretion, whether this detail or a functionally equivalent detail is best suited for the project. This detail is subject to change without notice. Contact Tremco, Nudura and Prebuck to ensure you have the most recent version.

Light Commercial/Residential Details

 Nudura Technical Support: 866-468-6299 International: +1 705-726-9499	Detail: Light Commercial Rough Opening - Dymonic 100 Option			File Name:	 Construction Products Group
	Drawn by: KAB	Checked by: KS/RW/JS/CB	Scale: NTS	Date: 3/3/2022	
www.tremcocpg.com					