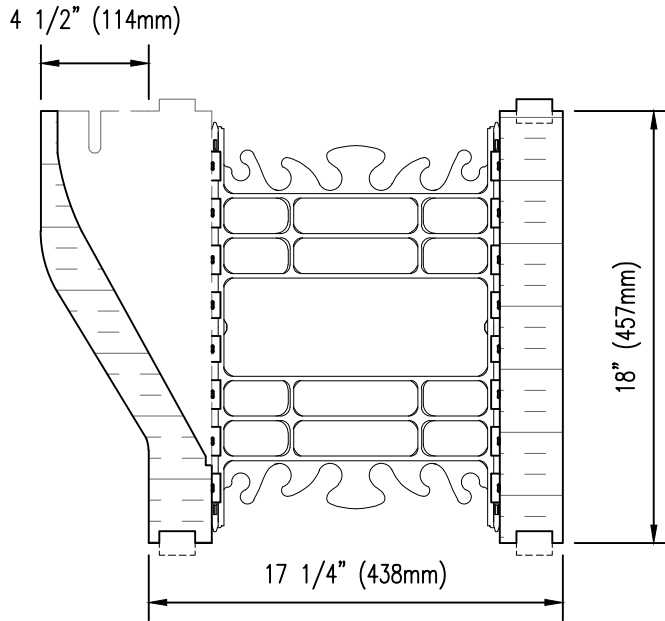
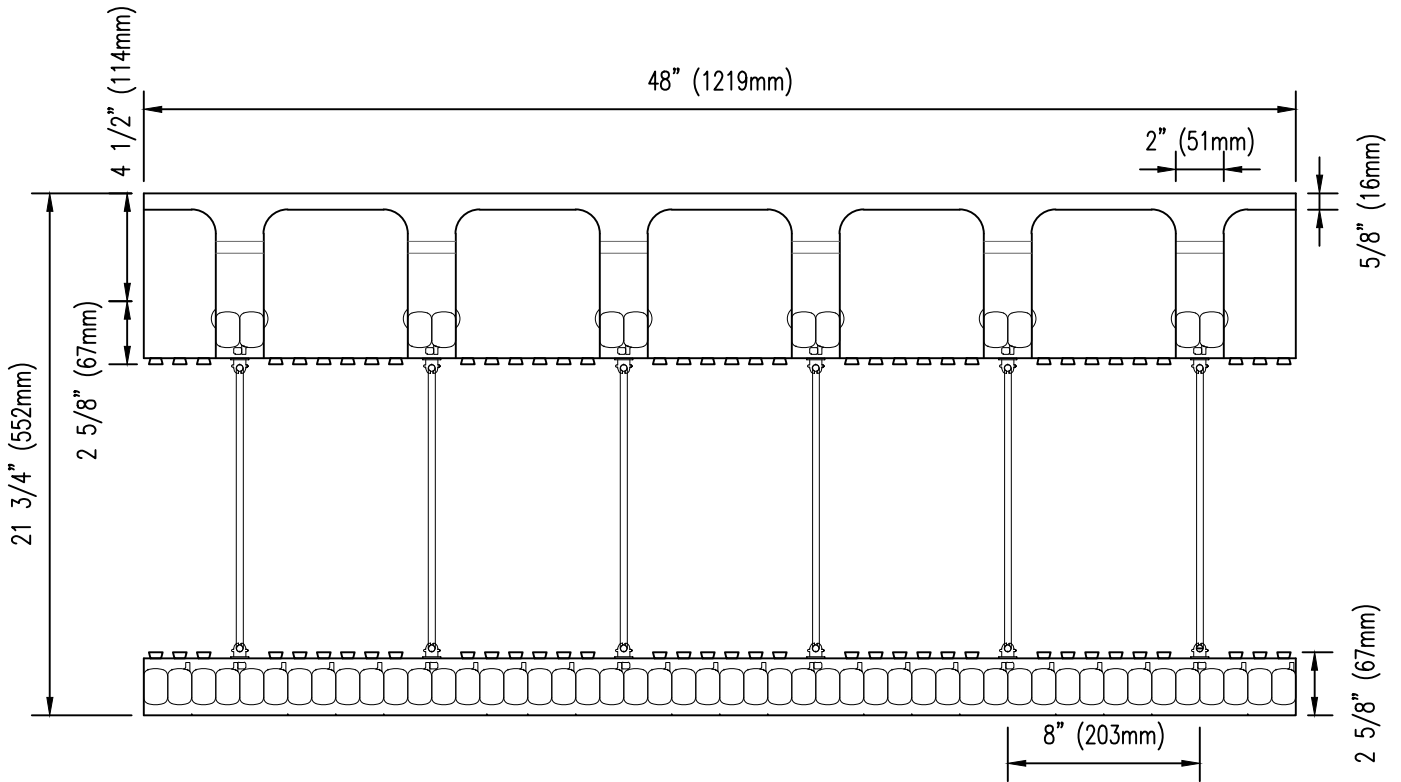




NOTE: PRODUCT LENGTH
 SUBJECT TO REGIONAL
 AVAILABILITY IN 4' (1219mm)
 OR 8' (2438mm) LENGTHS



DISCLAIMER NOTICE:
 SPECIFIC INFORMATION
 REQUIRED FOR COMPLIANCE
 WITH LOCAL CODES IS THE
 RESPONSIBILITY OF THE
 DESIGNER

The architecture, engineering, and design of the project using the Nudura products are the responsibility of the project's design professional. All products and systems must comply with local building codes and standards. This detail is for general information and guidance only and Nudura specifically disclaims any liability for the use of this detail. The project design professional determines, in its sole discretion, whether this detail or a functionally equivalent detail is best suited for the project. This detail is subject to change without notice. Contact Nudura to ensure you have the most recent version.

Form Unit Profiles

 Nudura Technical Support: 866-468-6299 International: +1 705-726-9499	Detail: Nudura 12" (305mm) One Sided Brick Ledge Form Unit			File Name:	 Construction Products Group
	Drawn by: T.V	Scale: 1 : 8	Date: 12/1/2021	A12A06	
<small>tremcocpg.com</small>					