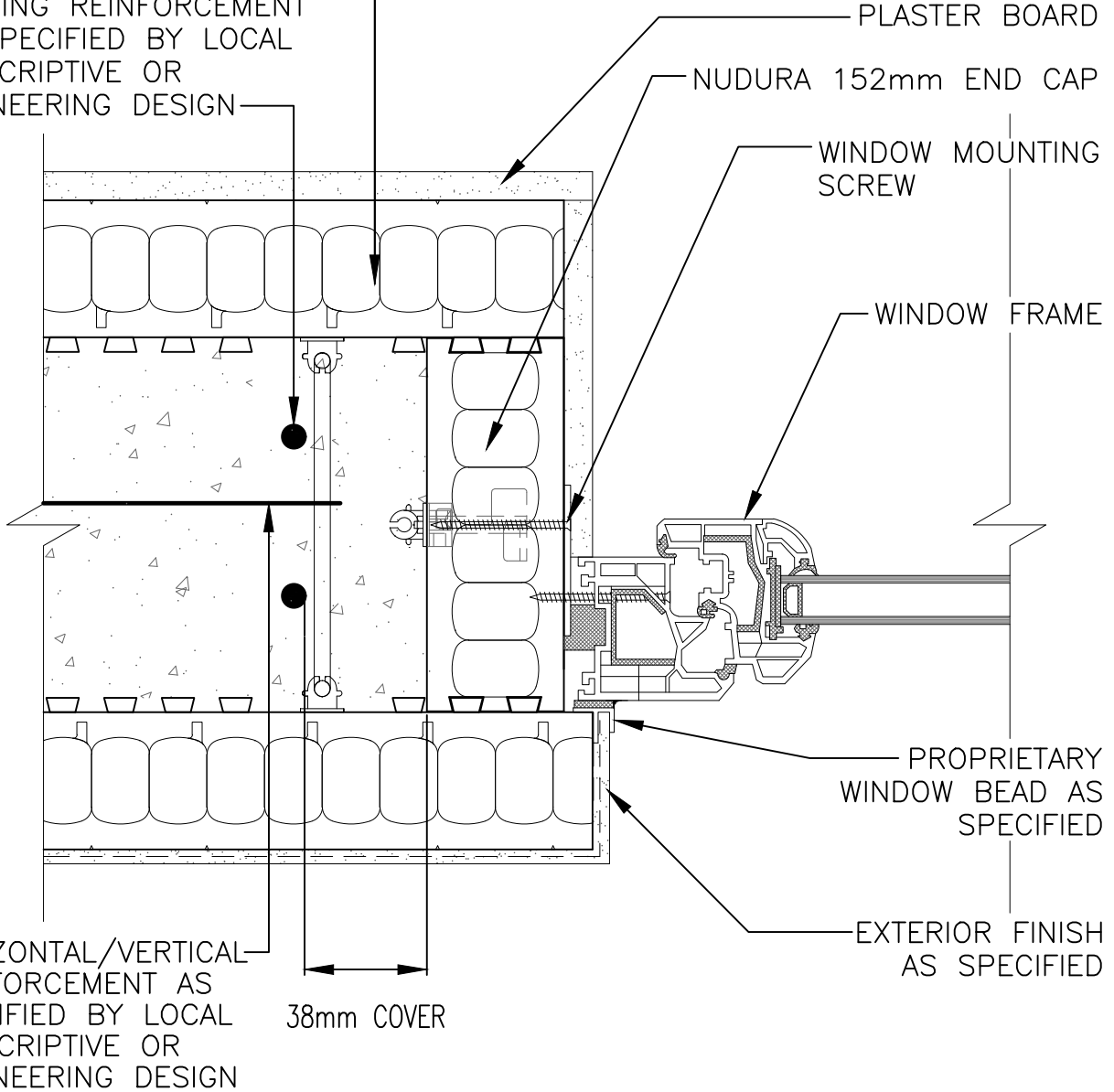


NUDURA STANDARD
152mm FORM UNIT

OPENING REINFORCEMENT
AS SPECIFIED BY LOCAL
PRESCRIPTIVE OR
ENGINEERING DESIGN



DISCLAIMER NOTICE:
SPECIFIC INFORMATION
REQUIRED FOR COMPLIANCE
WITH LOCAL CODES IS THE
RESPONSIBILITY OF THE
DESIGNER

The architecture, engineering, and design of the project using the Nudura products are the responsibility of the project's design professional. All products and systems must comply with local building codes and standards. This detail is for general information and guidance only and Nudura specifically disclaims any liability for the use of this detail. The project design professional determines, in its sole discretion, whether this detail or a functionally equivalent detail is best suited for the project. This detail is subject to change without notice. Contact Nudura to ensure you have the most recent version.

Typical Details CE-1

 Nudura Technical Support: 866-468-6299 International: +1 705-726-9499	Detail: Standard 152mm Form Unit Window Details Window Jamb Damp Proof Coursing Exterior Finish As Specified		File Name: CE-13	 Construction Products Group
	Drawn by: K.S	Scale: NTS	Date: 11/30/2021	